



μ R10000 / μ R20000 Usage Precautions

Compatibility with Input Terminals and Option Terminals of Older Models



CAUTION

- The input and option terminals of this instrument are specific to this instrument. Do not connect to the input terminals or option terminals of the μ R1000, μ R1800, or other models as malfunction can result.


Installing Felt Pens (Pen Models)

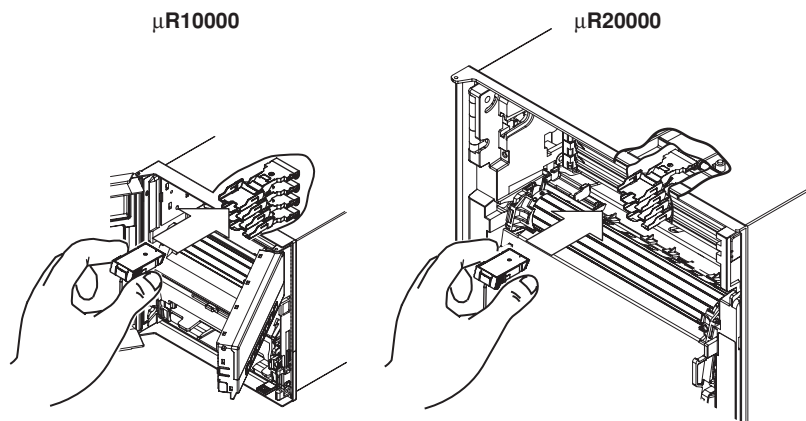
CAUTION


- Do not press or pinch the felt tip to prevent deformation.
- Do not move the penholder left or right by force to protect the driving mechanism.

1. Turn ON the power switch and press the  key.
2. Press the  key several times to display the **Pen exchange** screen.



3. Press the  key.
The pen holder moves near the center position, and the **Pen exchange = End** appears.
4. Install the pen.



5. Press the  key.
The screen returns to the data display screen.